



PlusPRO 5 Series Rack/Tower

ON-LINE UPS

6000VA & 10000VA

PlusPRO 5 Series

6KVA/5.4KW & 10KVA/9KW



Tower Type



Rack Type

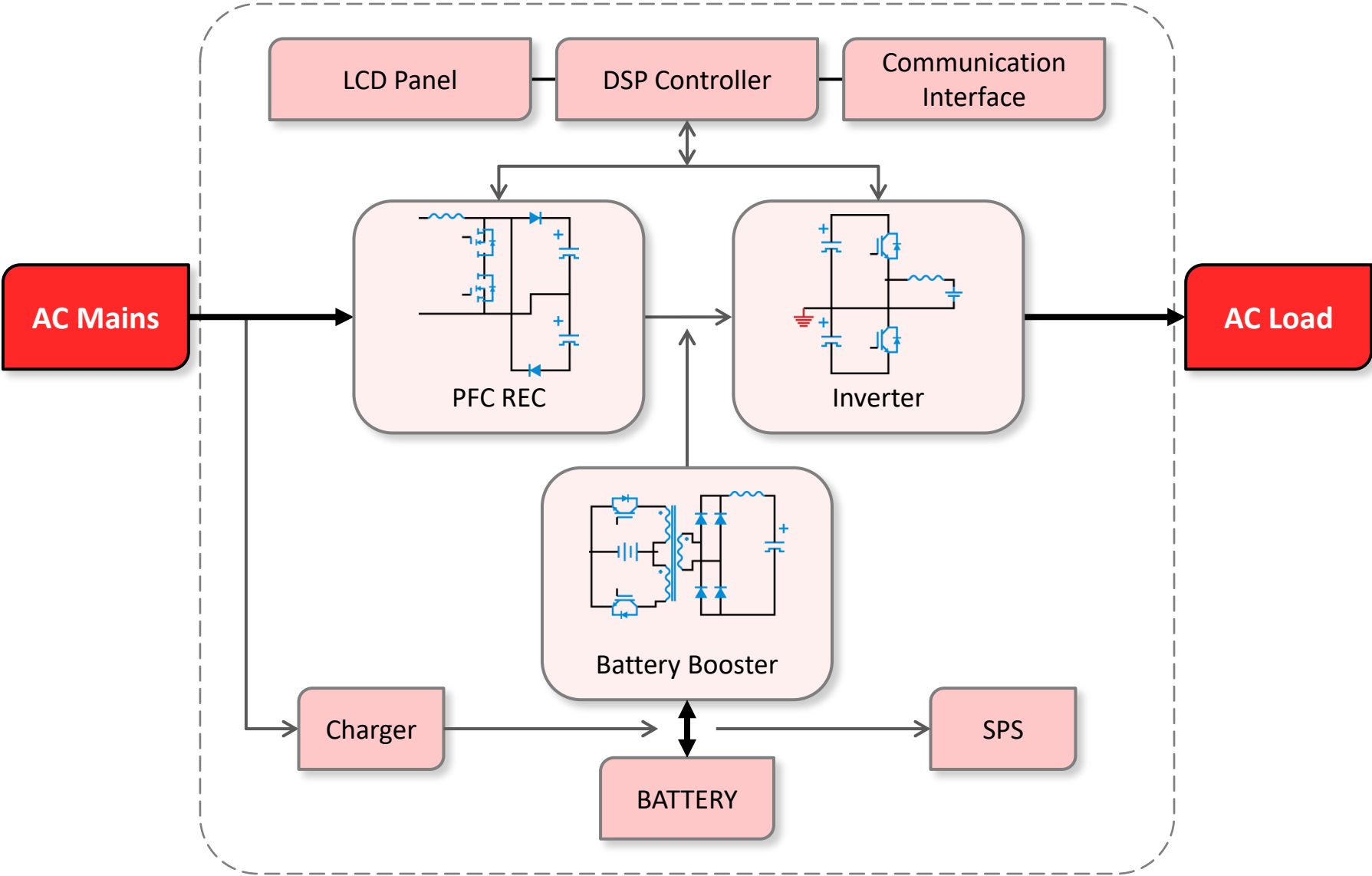
Product Introduction

PlusPRO 5 series 6KVA to 10KVA is a true double conversion online UPS with **pure sinewave output, zero transfer time** and **enhanced capacity**. With split-type design, it flexibly complies with users' demand no matter for standard or long time operation.

Featuring 6KVA, 10KVA integrated with **LCD display, Power Distribution Unit(PDU), high output power factor 0.9**, outstanding performance, optional external battery bank.



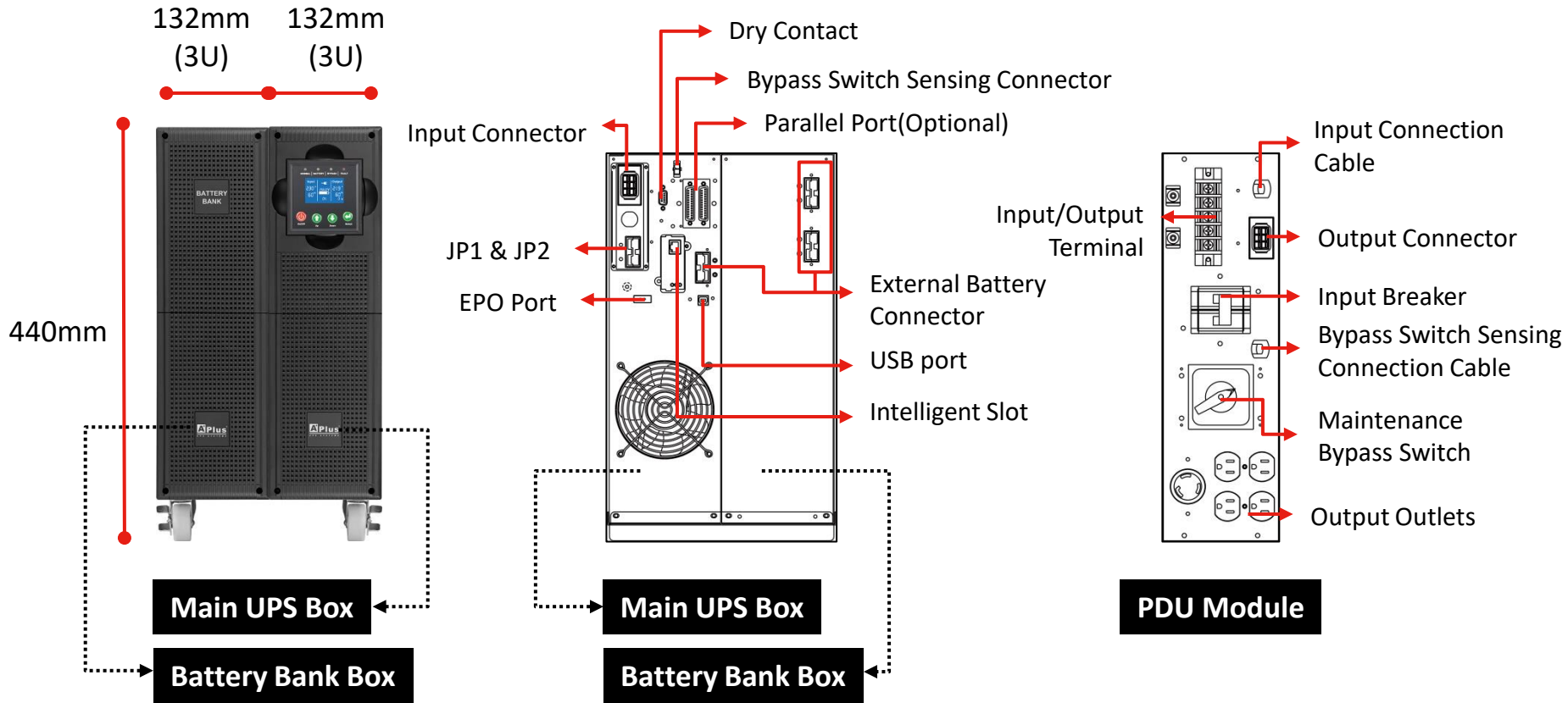
Basic Functional Module and Power Topology



Structural Diagram – PlusPRO 5-6K

Standard Model with PDU Module

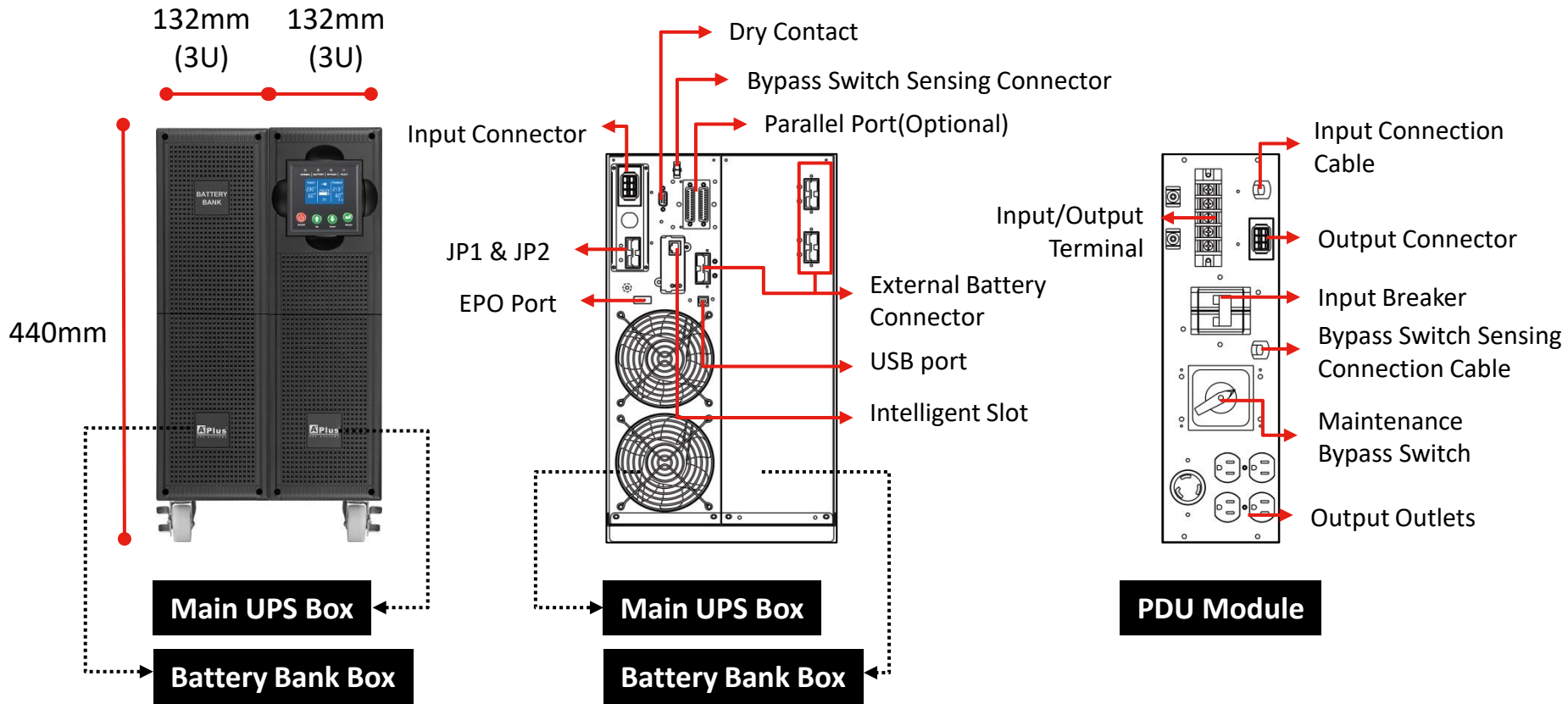
Demand Voltage for INPUT: 220/230/240Vac ; OUTPUT: 220/230/240Vac



Structural Diagram – PlusPRO 5-10K

Standard Model with PDU Module

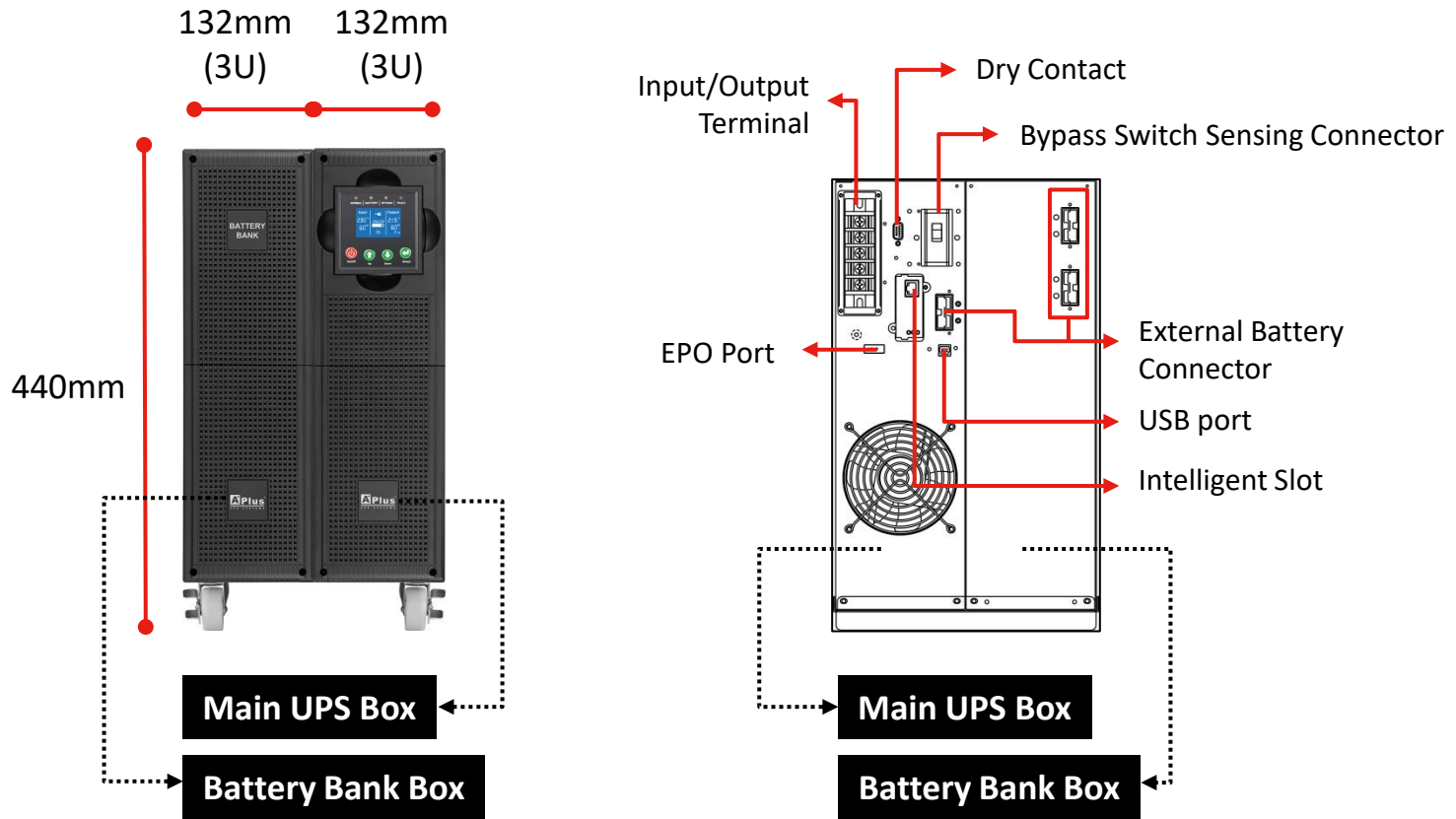
Demand Voltage for INPUT: 220/230/240Vac ; OUTPUT: 220/230/240Vac



Structural Diagram – PlusPRO 5-6K

Optional Model without PDU Module

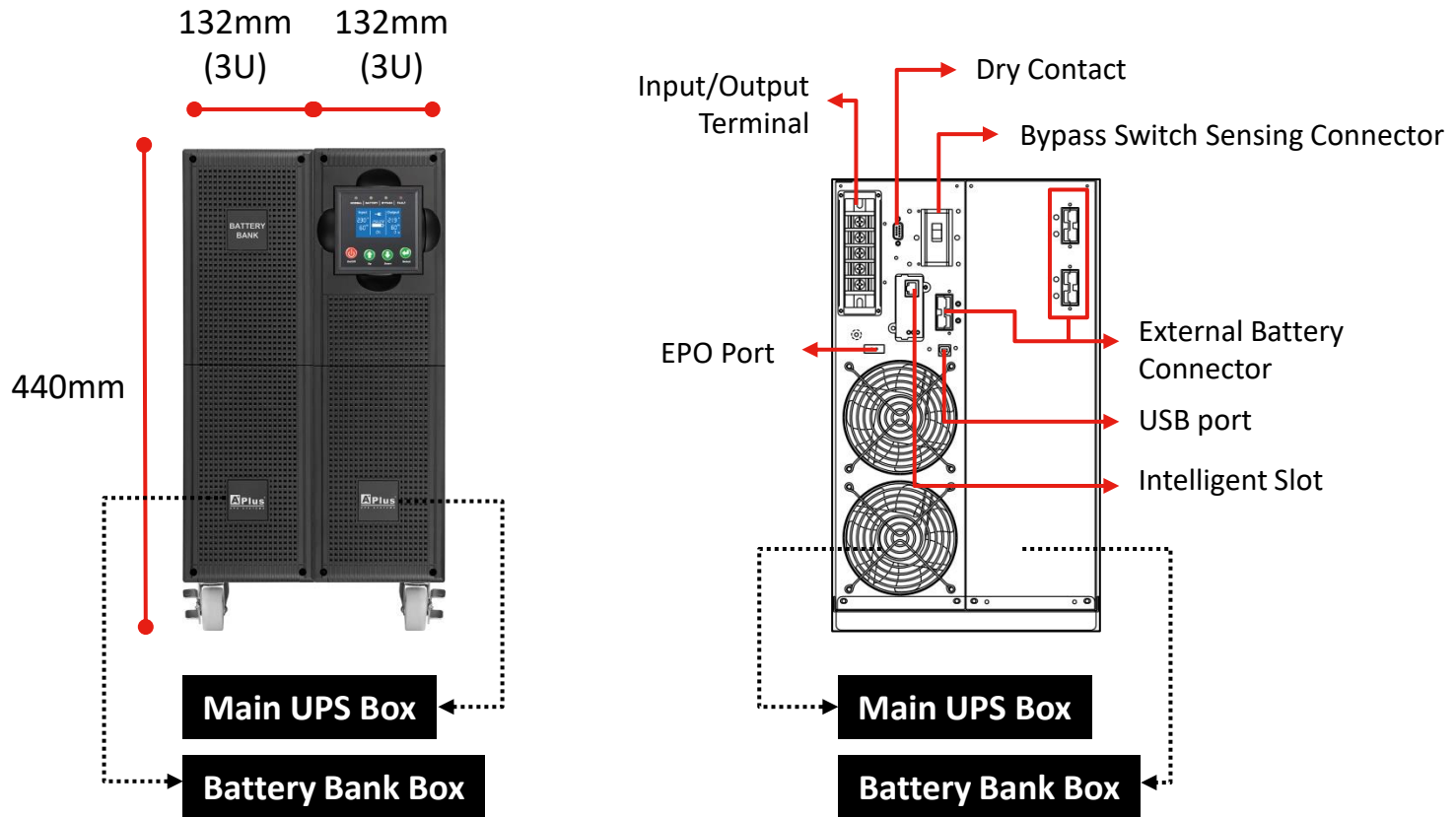
Demand Voltage for INPUT: 220/230/240Vac ; OUTPUT: 220/230/240Vac



Structural Diagram – PlusPRO 5-10K

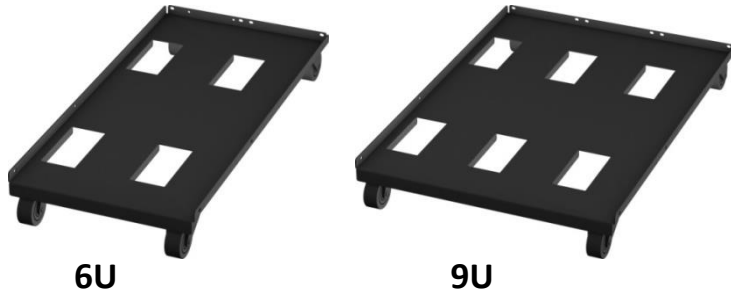
Optional Model without PDU Module

Demand Voltage for INPUT: 220/230/240Vac ; OUTPUT: 220/230/240Vac



Accessories

Tray Wheels



Mounting Bracket



Stabilizing Feet

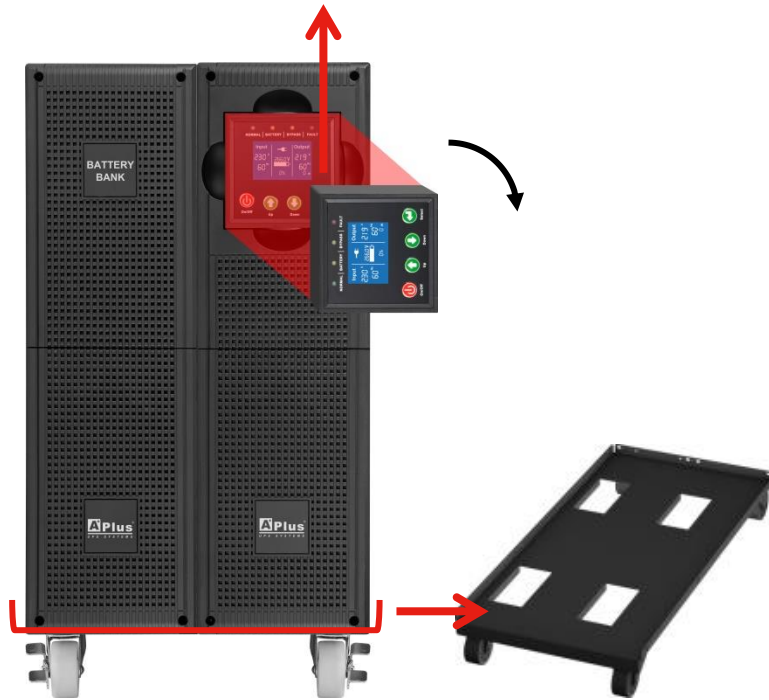


PDU



Tower/Rack Convertible

Rotate the screen 90 degrees



Tower Type

Remove the Tray Wheels



Rack Type

External Battery Bank

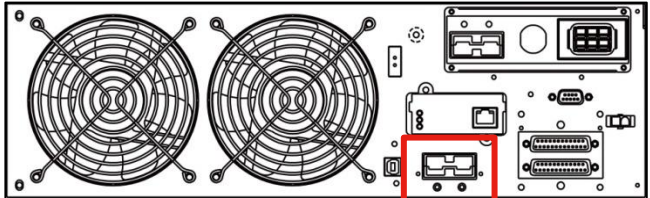


Tower Type



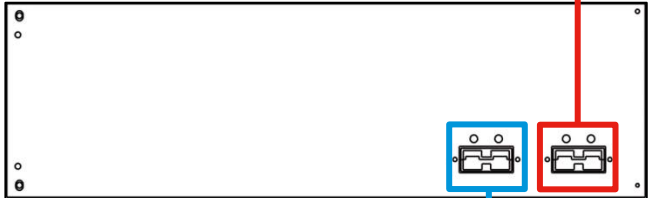
Rack Type

Main UPS Box



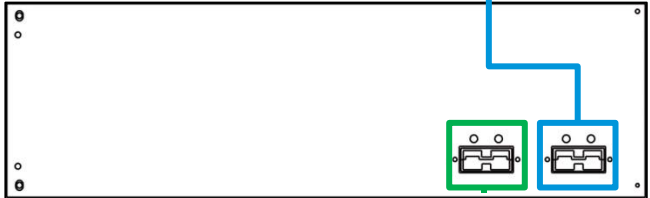
1

Battery Bank Box-1



2

Battery Bank Box-2



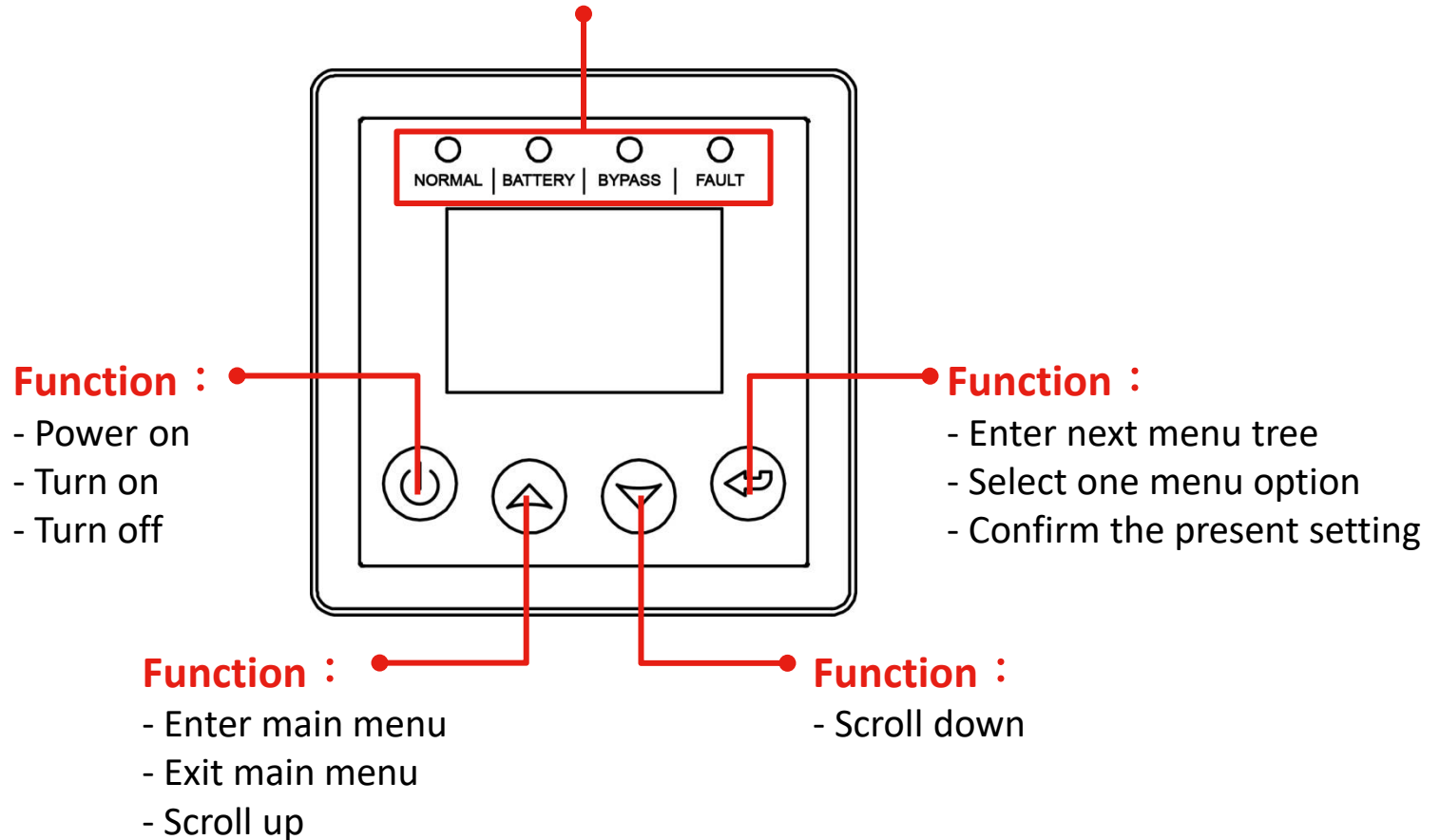
3

N

Control Panel Information

LED Definition :

Normal LED / Battery LED / Bypass LED / Fault LED

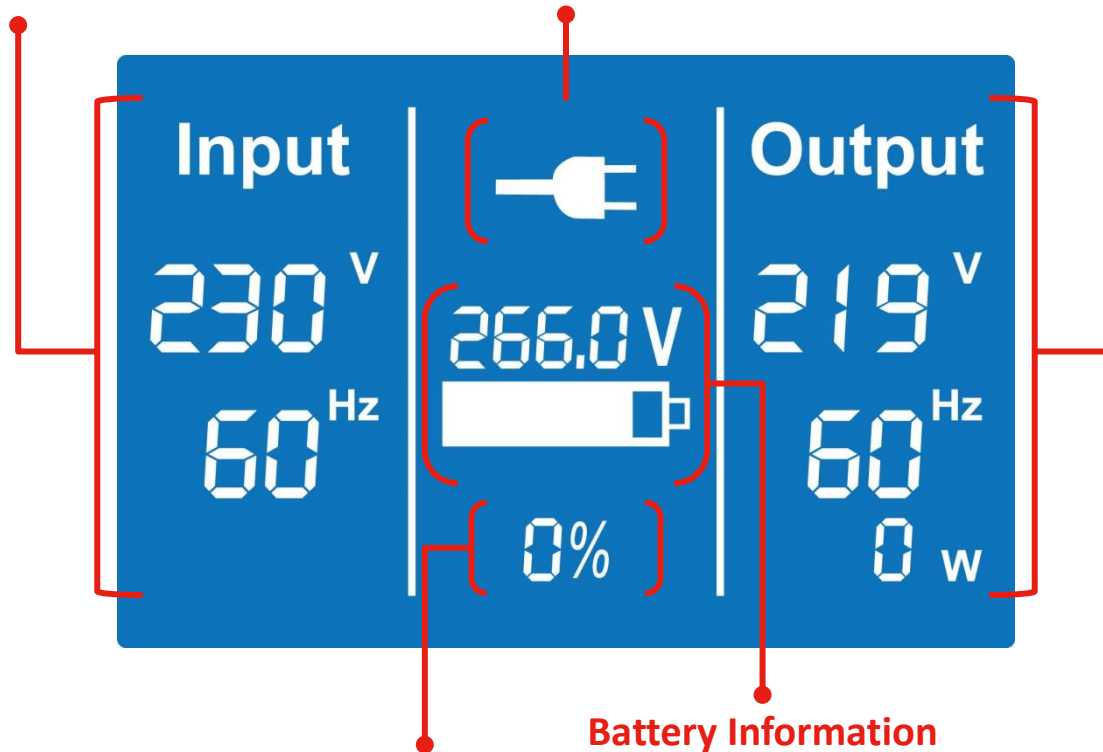


LCD Display

Utility Input Information

UPS Operating Status

UPS Output Information



Load Information

Battery Information

Features



N+X parallel redundancy and capacity expansion (Optional)



High performance true double conversion On Line UPS



Microprocessor control guarantees high reliability



High efficiency mode (ECO mode)



High efficiency mode (Line mode)



Rack/tower convertible design



Emergency Battery Back-up



Output power factor 0.9



Pure Sine wave Output



Modular design

Specifications -1

MODEL	PlusPRO 5-6K	PlusPRO 5-10K
CAPACITY	6KVA/5.4KW	10KVA/9KW
INPUT		
Phase	1 Phase 2 Wires with Ground	
Voltage	220/230/240Vac	
Frequency	50Hz or 60Hz (Auto-sensing)	
THDi	<5% with R full load	
OUTPUT		
Phase	1 Phase 2 Wires with Ground	
Voltage	220/230/240Vac	
Voltage Regulation	+/-1%	
Frequency (Battery Mode)	50Hz or 60Hz +/-0.05Hz	
Waveform	Pure Sinewave	
THD	<2% (linear load), <5% (non-linear load)	
Crest Ratio	3 : 1	
EFFICIENCY		
To AC Mode	>92% at full load and battery fully charged	
To Battery Mode	>92% at full load and 12VDC/battery	
To ECO Mode	>96% at full load and battery fully charged	

*Product specifications are subject to change without further notice.

Specifications -2

MODEL	PlusPRO 5-6K	PlusPRO 5-10K
BATTERY		
Type	Maintenance free sealed lead-acid battery	
Voltage	240VDC	
Capacity & Number	12V/7AH*20pcs	12V/9AH*20pcs
Recharge Time	7 hours to 90%	8 hours to 90%
TRANSFER TIME		
Line Mode to Battery Mode	0ms	
Inverter to Bypass	0ms	
ECO Mode to Inverter	<10ms	
DISPLAY		
LED Indicator	Normal (Green), Bypass (Yellow), Fault (Red), Battery (Yellow)	
LCD Display	Load level, Battery voltage, Battery mode, AC mode, Bypass mode information	
AUDIBLE ALARM		
Battery Mode	Beeps Every 4 Seconds	
Low Battery	Sounding Every Second	
Overload	Sounding Twice Every Second	
Fault	Beeping Continuously	

*Product specifications are subject to change without further notice.

Specifications -3

MODEL	PlusPRO 5-6K	PlusPRO 5-10K
COMMUNICATIONS		
Interface (Port)	USB Port (Dry Contact is optional)	
Intelligent Slot	Yes, but SNMP card is optional	
EPO	Emergency Power Off	
ENVIRONMENT		
Operating Temperature	0°C-40°C (32°F-104°F)	
Humidity	0-95% (Non-condensing)	
Acoustic Noise	<50dB at 1M	
PHYSICAL		
Format of Main UPS	Tower/Rack: 3U	
Main UPS (D*W*H)	610*440*135mm	
Format of Battery Box	Tower/Rack: 3U	
Battery Box (D*W*H)	610*440*135mm	

*Product specifications are subject to change without further notice.



APLUS POWER CORP.

Aplus, Reliable Power Brand Deserve Your Trust